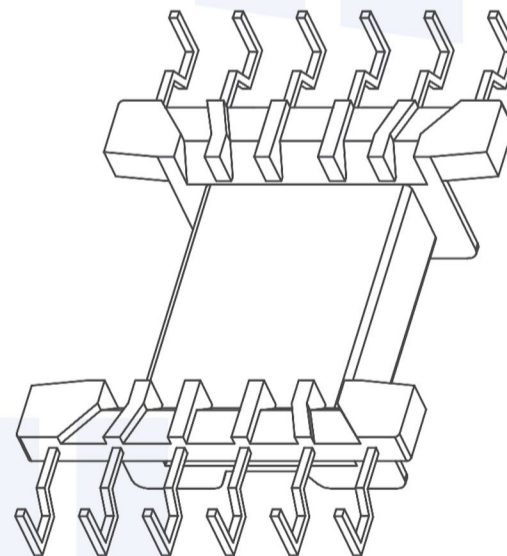
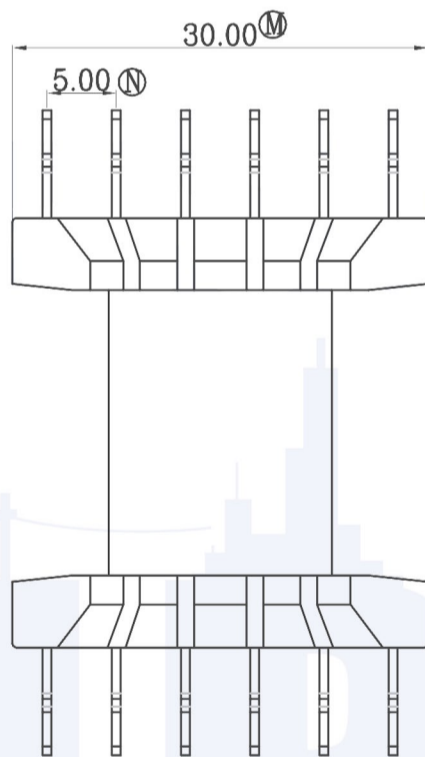
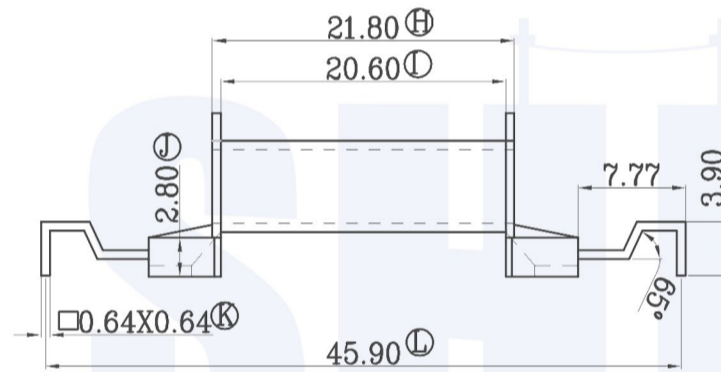
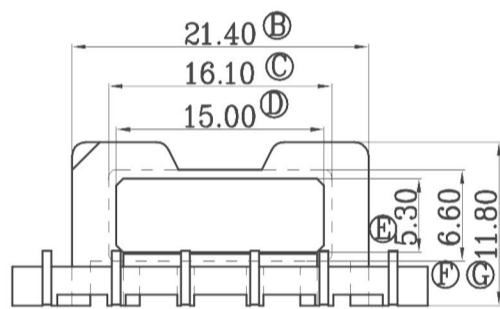
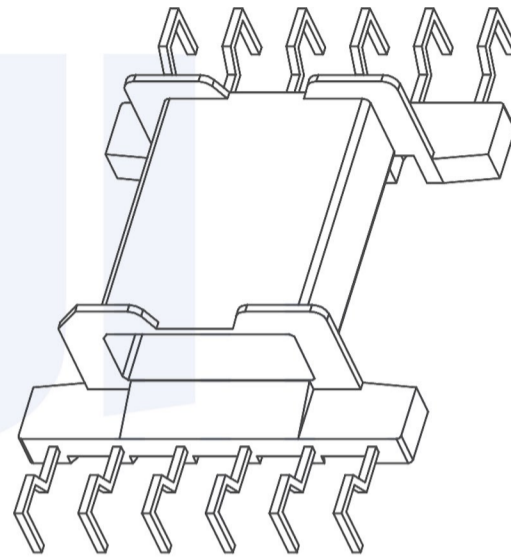
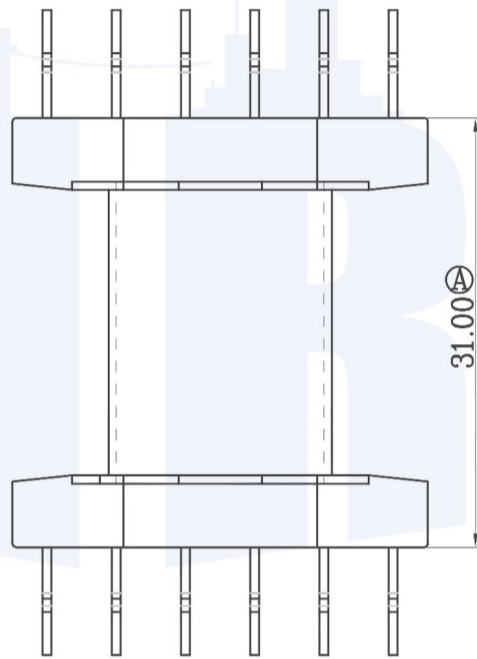


SHIRUI

P/N

SR-SMD EFD3005



Hefei Shirui Electronic Technology Co.,Ltd

www.shiruitech.com

TEL:(0086)55165232650

sales@shiruitech.com

SR NO. SR-SMD EFD3005	MATERIAL: PHENOLIC	UNIT: mm	DRN.	WILL H
MODEL NAME: SMDEFD30-12P-1S H	UL REC: UL 94V-0	TOLERANCE	CHD.	IRINA LEE
	ANGLE: ± °	0 < L ≤ 4 ±0.10	ISSD.	JAMES HU
	SCALE 1:1	4 < L ≤ 16 ±0.20		
		16 < L ≤ 64 ±0.30		
		PIN PITCH ±0.05		